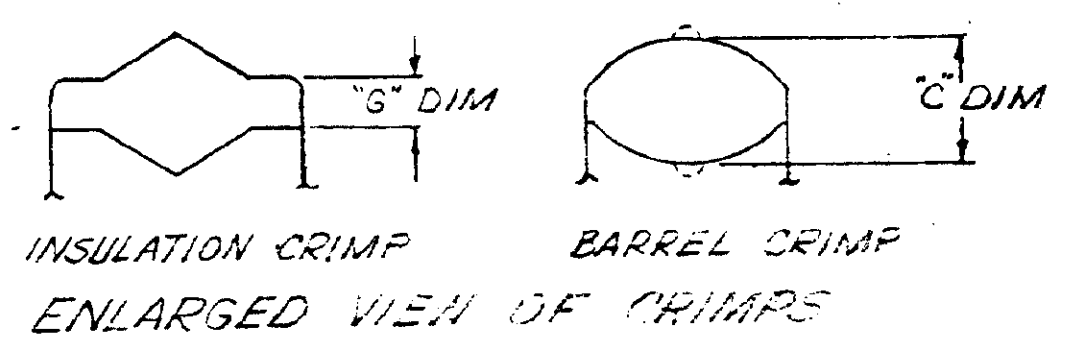
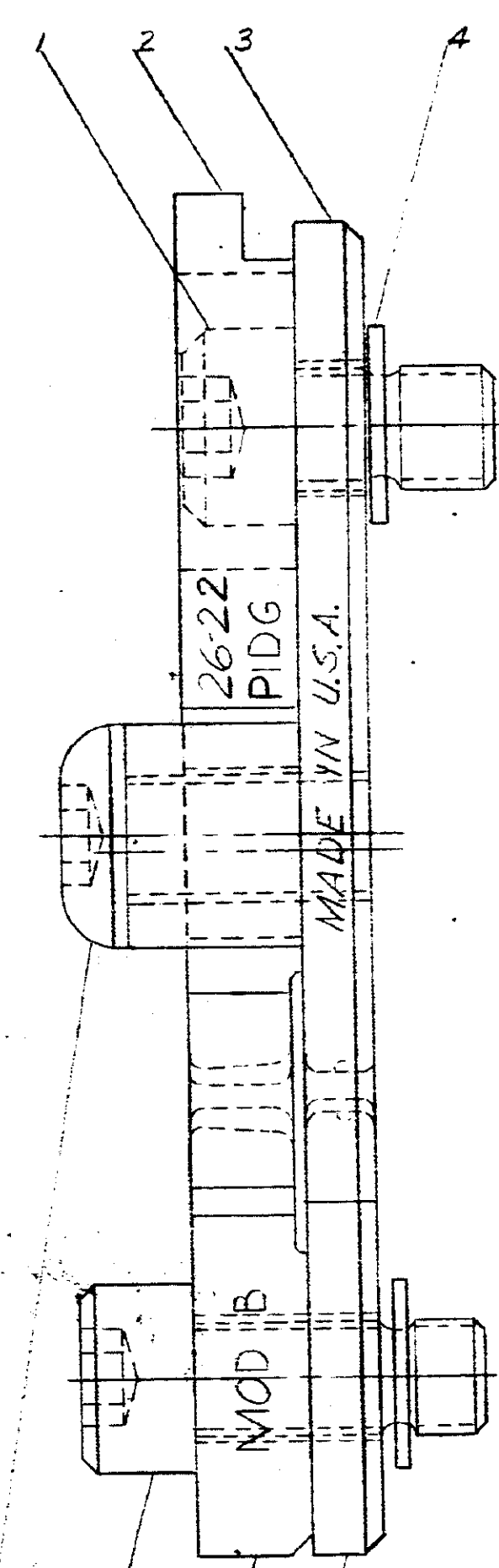
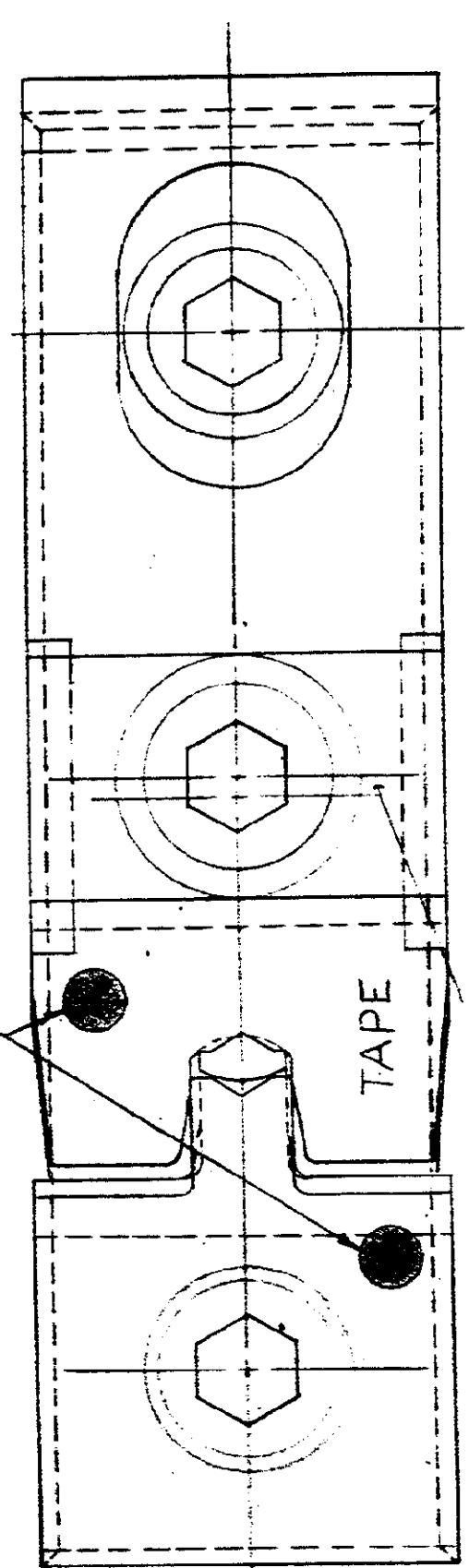
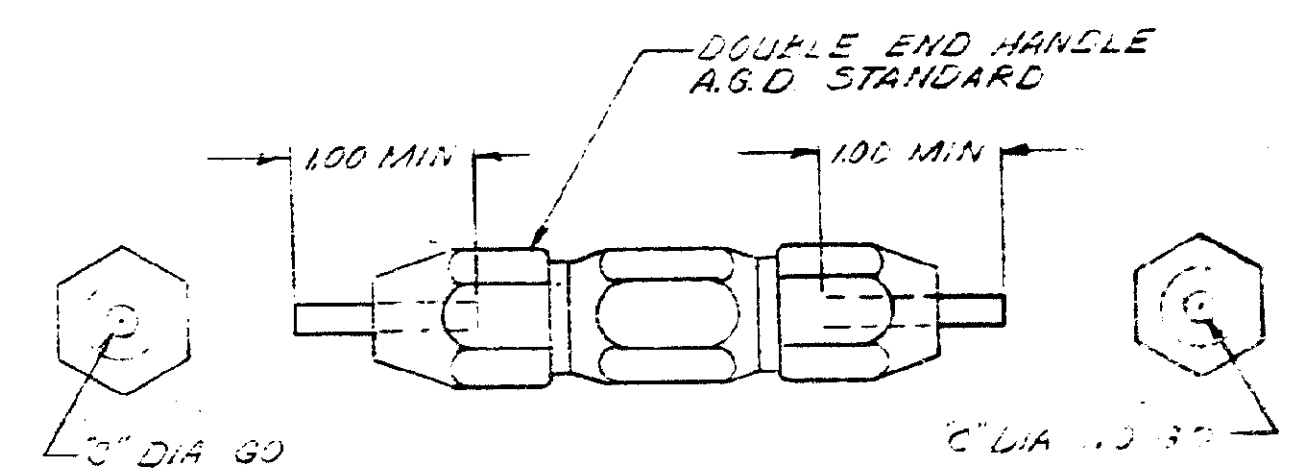


NUMBER 69877

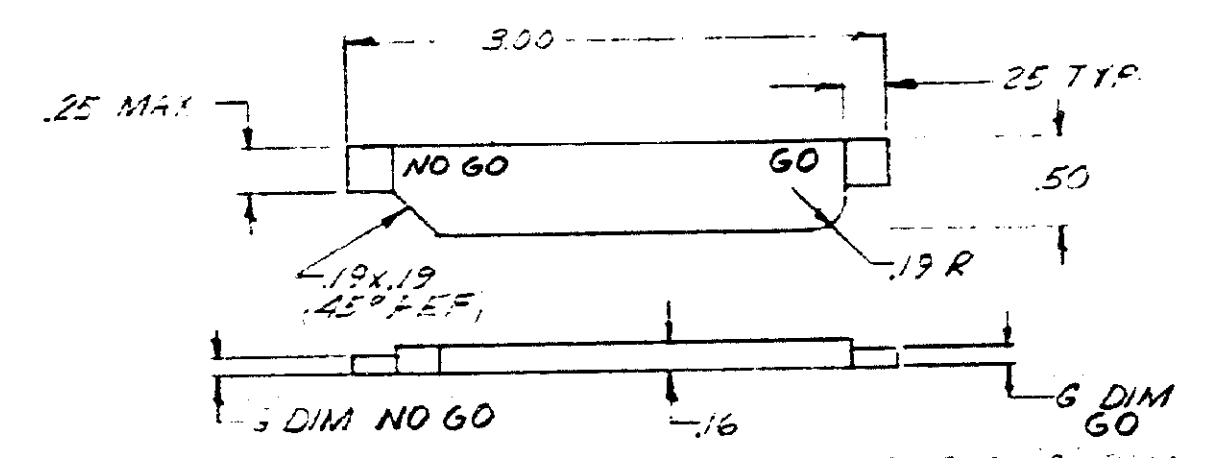
PLUG GAGE DIMENSIONS APPLY WHEN TOOL IS BOTTOMED BUT NOT UNDER PRESSURE.



G DIM AT POS 1		G DIM	
GO	NO GO	GO	NO GO
.030	.050	.063	.069



SUGGESTED PLUG GAGE FOR C DIM BARREL CRIMP



SUGGESTED PLUG GAGE FOR G DIM INSULATION CRIMP

SUPERSEDED BY 15-2423

1	307275-1	SADDLE	9
1	2-59577-7	SCREW (10-32 UNF-3A X .390 LONG)	8
1	59781-7	SCREW-SPECIAL	7
1	1-59319-5	ANVIL-INSULATION	6
1	2-59615-0	ANVIL	5
2	1-21046-3	RING-RETAINING	4
1	59782-2	INDENTER	3
1	307285-3	INDENTER-INSULATION	2
1	59781-4	SCREW-SPECIAL	1

REQUIRED PER ASSEMBLY	NUMBER	NAME	REMARKS	ITEM NO.
	© 1969 BY AMP INCORPORATED. ALL RIGHTS RESERVED. AMP PRODUCTS COVERED BY PATENTS AND/OR PATENTS PENDING.			
	MATERIAL AND FINISH		CUSTOMER COPY REFERENCE ONLY	
	BY B. Shonfeld 11-25-69		AMP INCORPORATED HARRISBURG, PENNA.	
	DATE 12-1-69		USED ON 69875	
	WIRE - RANGE - INSULATION 26-22 + +		TYPE "C" PIDG	
	TOLERANCE EXCEPT AS NOTED ± .015 ± .1°		SCALE 4:1	
	DATE 12-1-69		MFG 69877	
	NAME DIE ASSEMBLY MOD B			

REVISION	DATE	BY	CHKD
1	7-28-69		
2	7-15-69		
3	7-25-69		

